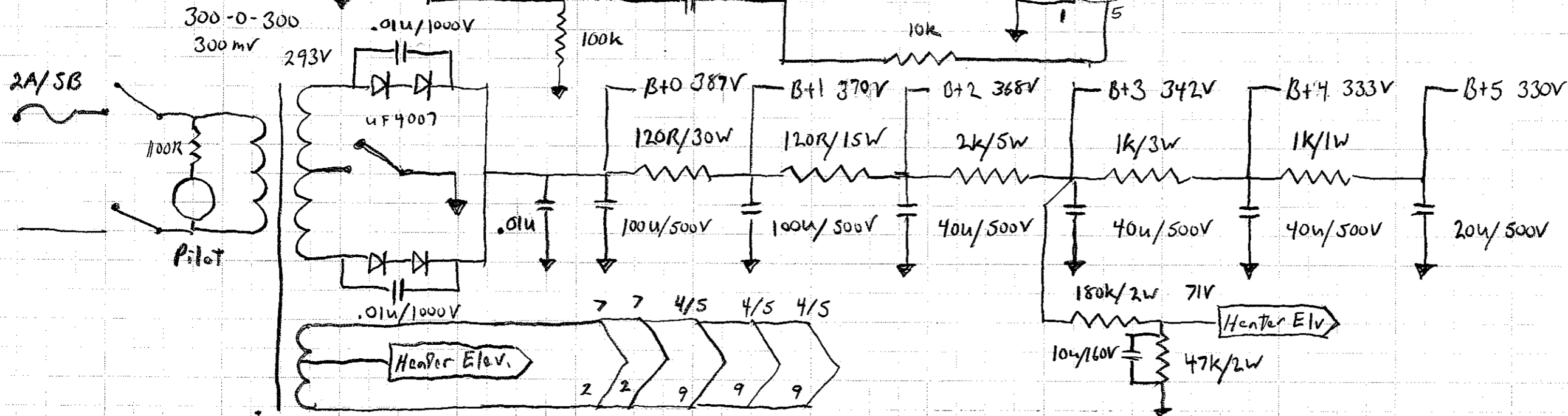
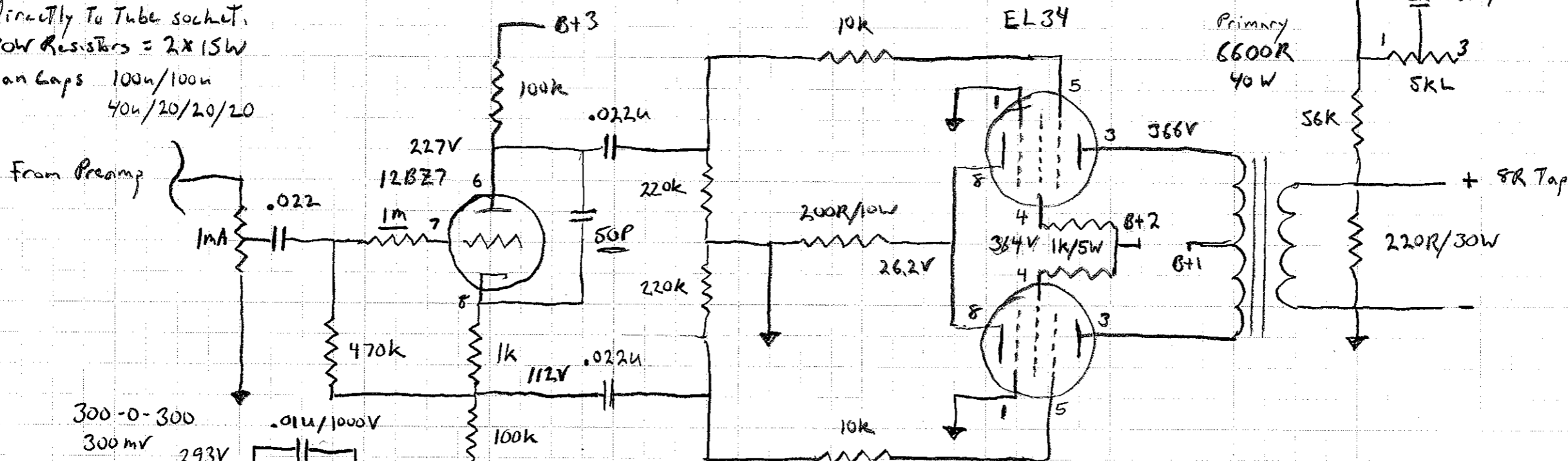
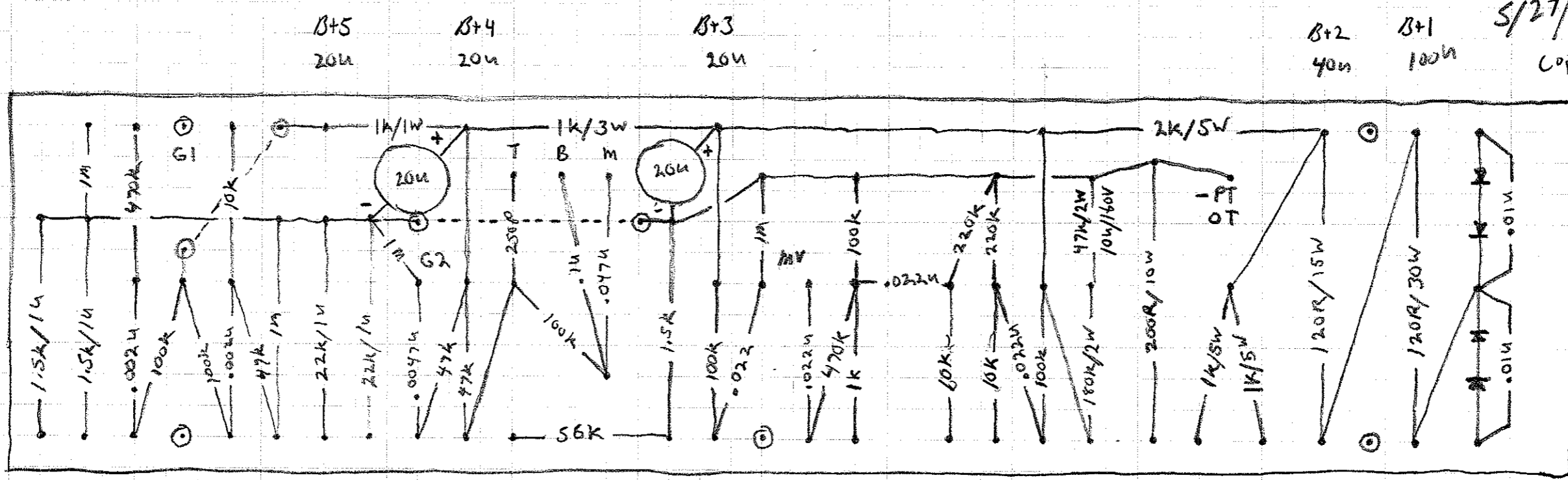


Note: Underlined resistor values attached directly to Tube socket.
 30W Resistors = 2x 15W
 Can Caps 100u/100V
 40u/20/20/20



Dirty Dawg
 DD-30
 5/27/09

Copyright 2009
 All Rights Reserved



B+5
20u

B+4
20u

B+3
20u

B+2
40u

B+1
100u

DD 30
Dirty Dong

5/27/09

Copyright 2009
All Rights Reserved

100u
B+0